

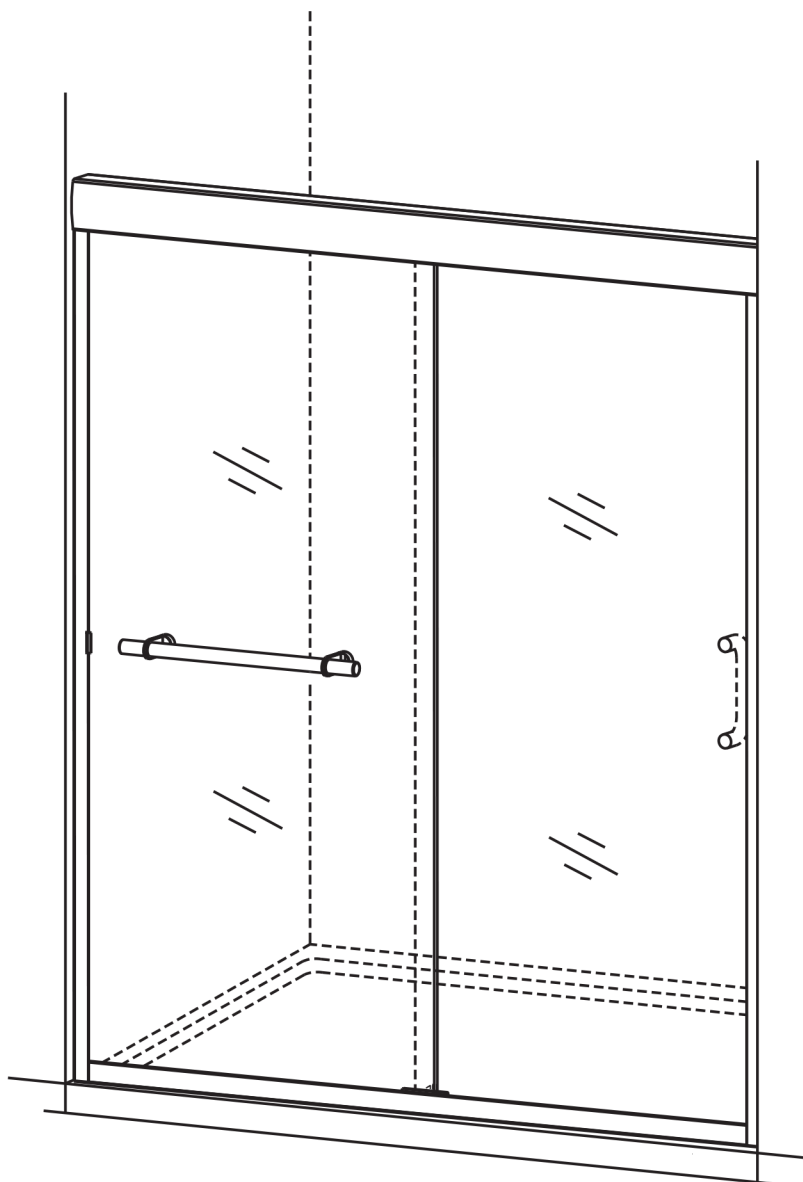
AZUL SLIDING

MISENO

IMPORTANT: Record the Model No. (see carton) of your tub or shower enclosure for future reference.

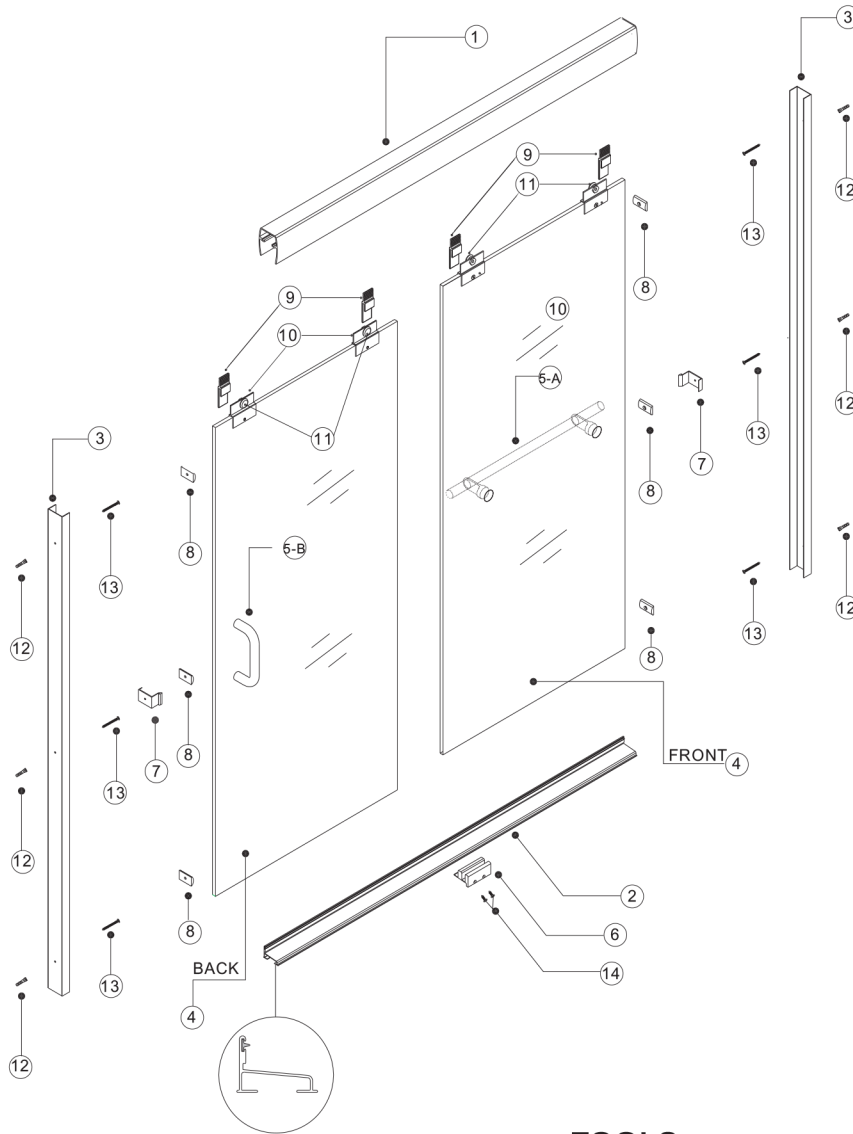
Model No. _____

READ THE INSTRUCTIONS CAREFULLY, familiarize yourself with all the parts as shown in the exploded view. The exploded view will also provide a helpful reference when relating to the location of the various parts and how they are mounted.



AZUL SLIDING

MISENO



• PART LIST.

| | | | |
|---------------------|--------------------------|------------------------|--------------------------------|
| | | | |
| TOP TRACK (1 pcs) | BOTTOM TRACK (1 pcs) | WALL JAMB (2 pcs) | DOOR PANEL (FRONT/BACK) |
| | | | |
| TOWEL BAR (1 pcs) | HANDLE (1 pcs) | GUIDE (1 pcs) | BUMPER GUIDE (2 pcs) |
| | | | |
| WALL BUMPER (6 pcs) | SAFE SLIDER CLIP (4 pcs) | GLASS HOLDER (4 pcs) | ROLLER (4 pcs) |
| | | | |
| WALL PLUG (6 pcs) | SCREW (6pcs) 4x38mm | SCREW (2 pcs) 4x9mm | WRENCH (1 pcs) 2x60mm |
| | | | |
| | | | INSTALL BAR (1 pcs) 3x100mm |

• TOOLS.

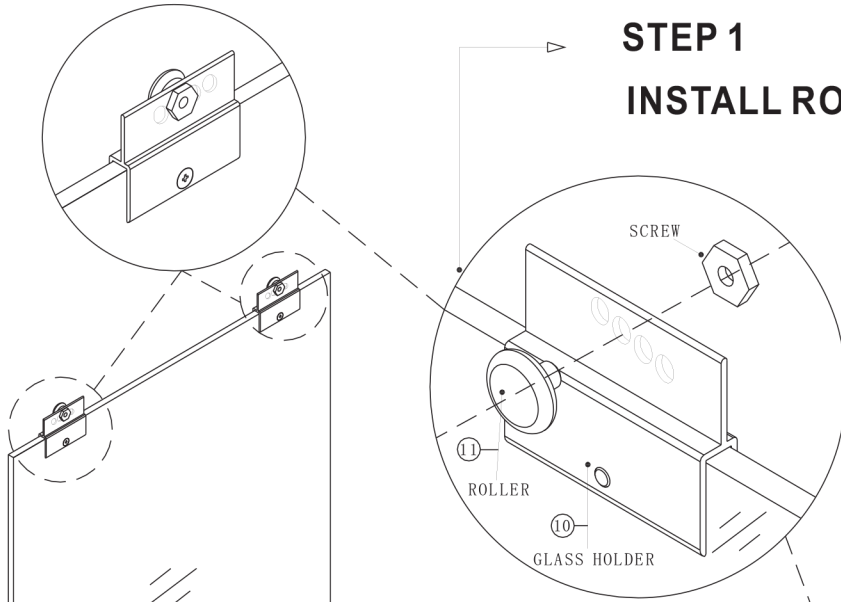
| | |
|-------------------------|---------------|
| | |
| SILICONE | DRILL |
| | |
| MEASURE TAPE | RUBBER MALLET |
| | |
| DRILL BITS 1/8" 1/4" | LEVEL |
| | |
| SCREW DRIVERS | PENCIL |
| | |
| | HANDSAW |

AZUL SLIDING

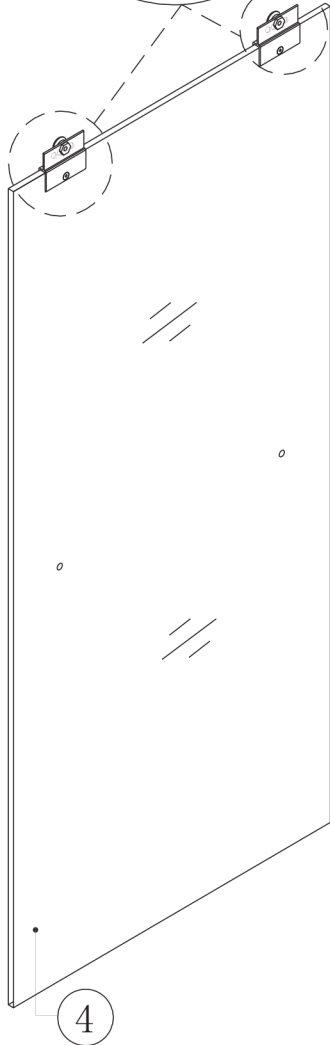
MISENO

STEP 1

INSTALL ROLLER



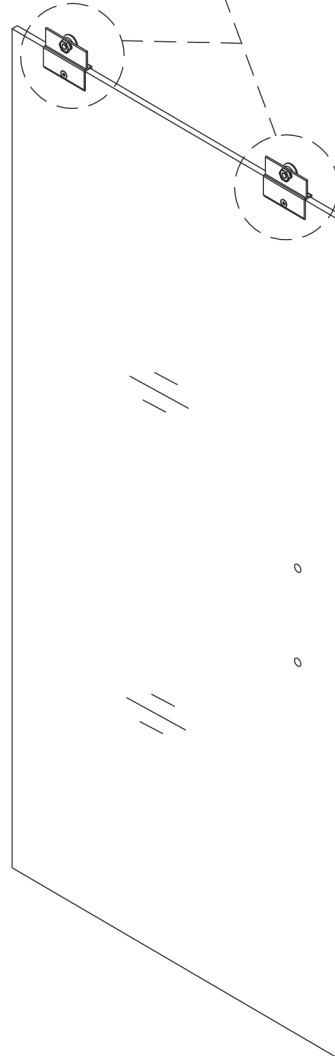
NOTE
BE SURE TO MOUNT
ROLLER ON OPPOSITE
SIDE OF HOLDER AS
SCREW HEAD.



DOOR PANEL (FRONT)

STEP 2

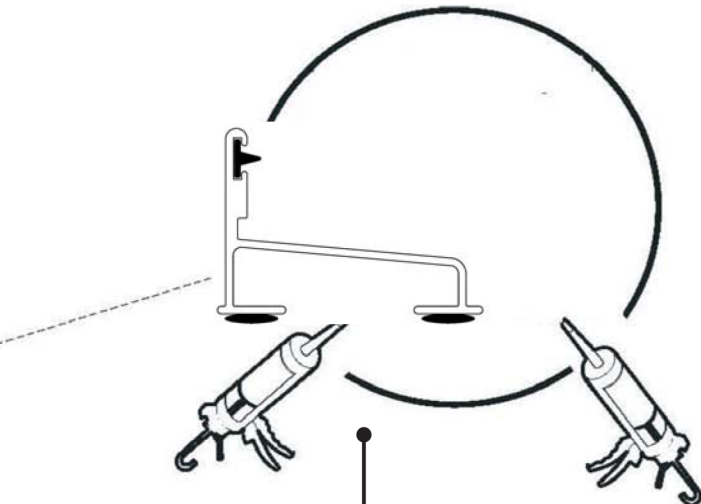
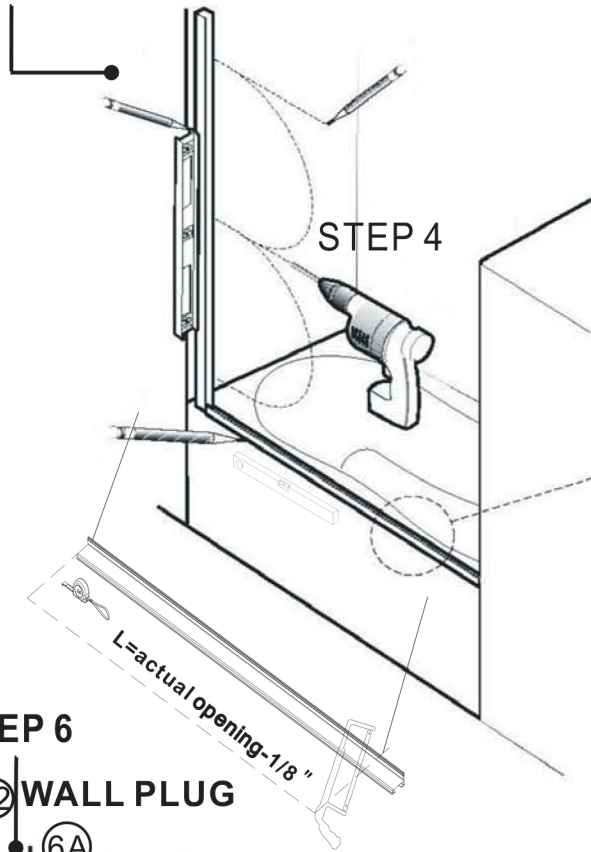
INSTALL ROLLER



AZUL SLIDING

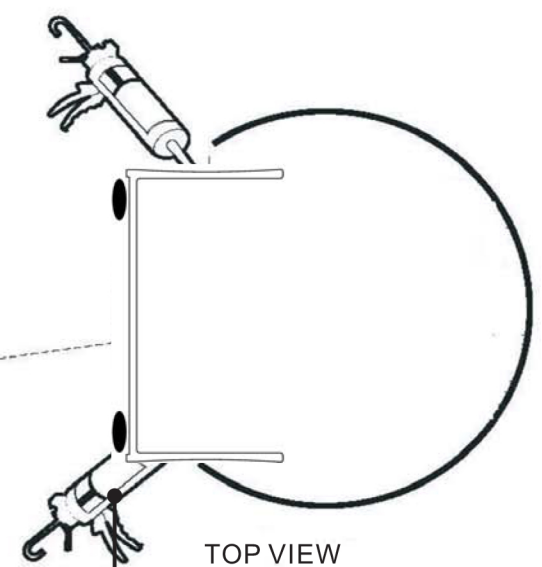
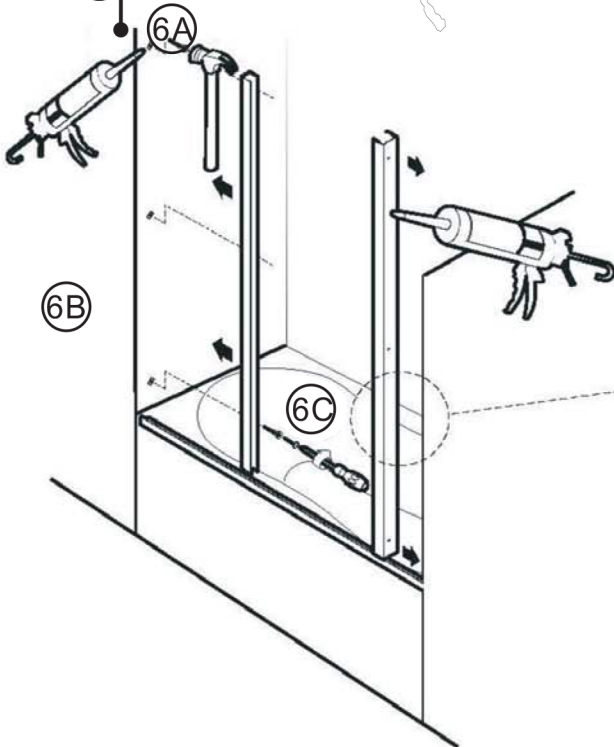
MISENO

STEP 3 REPEAT ON BOTH SIDE



STEP 6

12 WALL PLUG

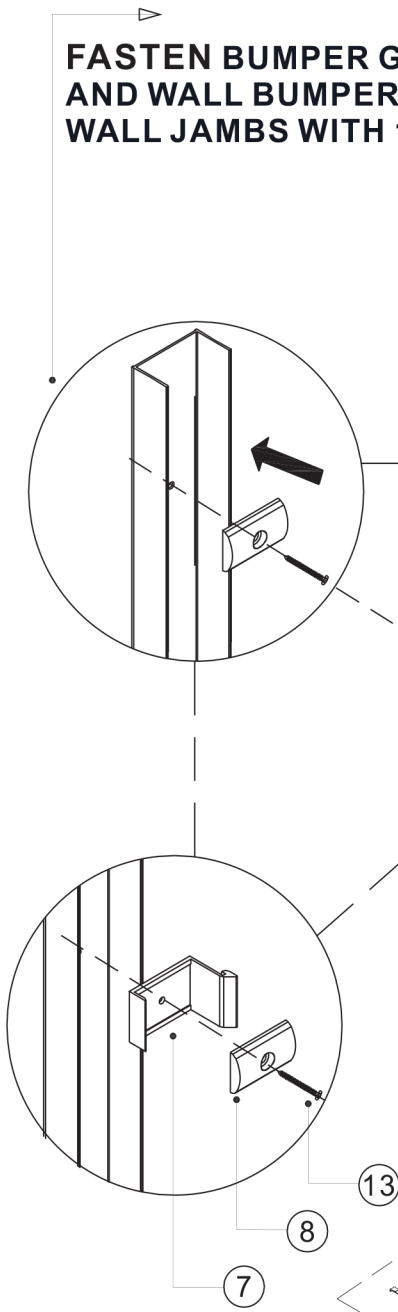


AZUL SLIDING

MISENO

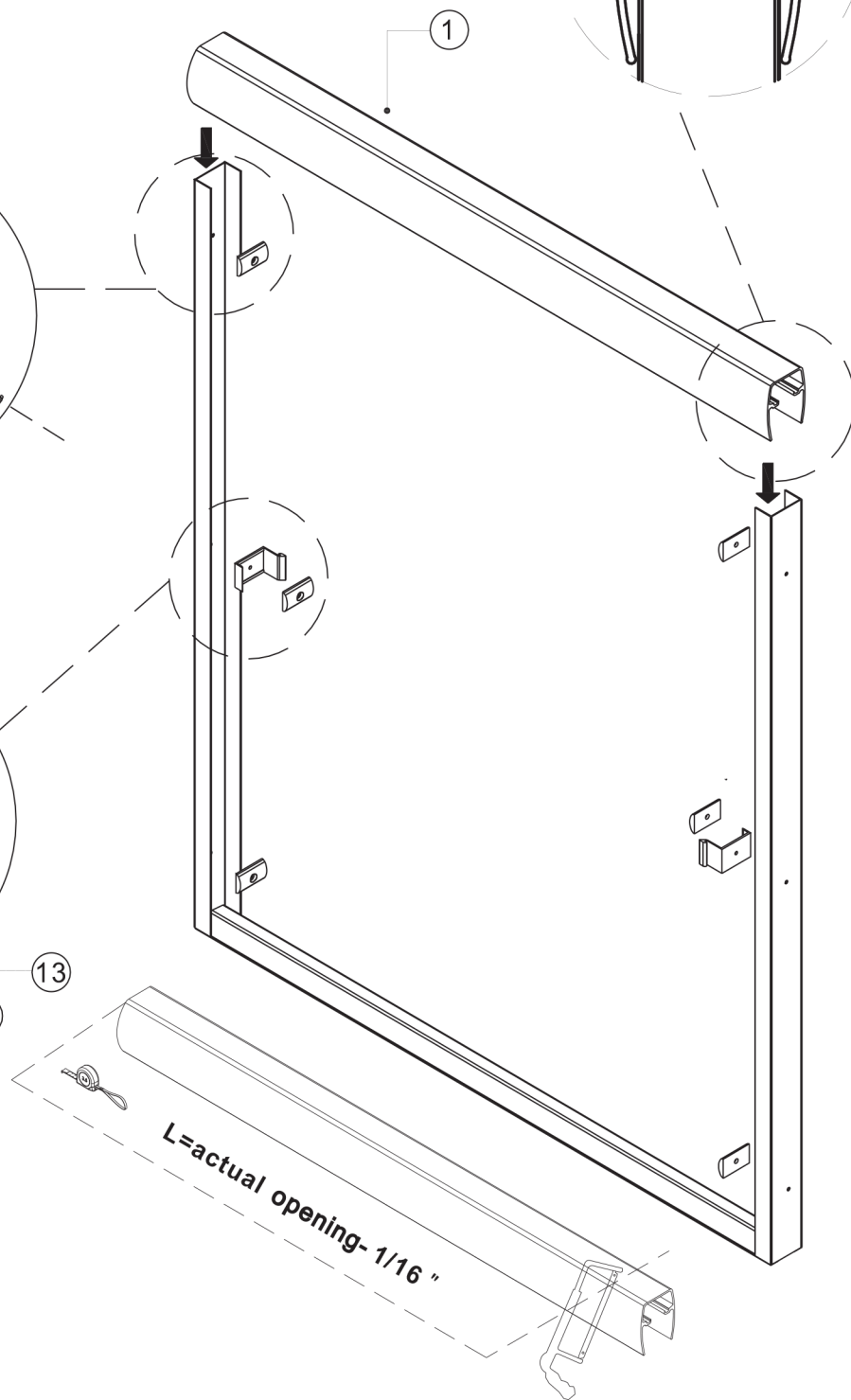
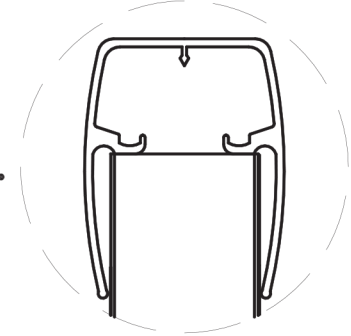
STEP 8

FASTEN BUMPER GUIDE AND WALL BUMPER ONTO BOTH WALL JAMBS WITH 1-1/2" SCREW



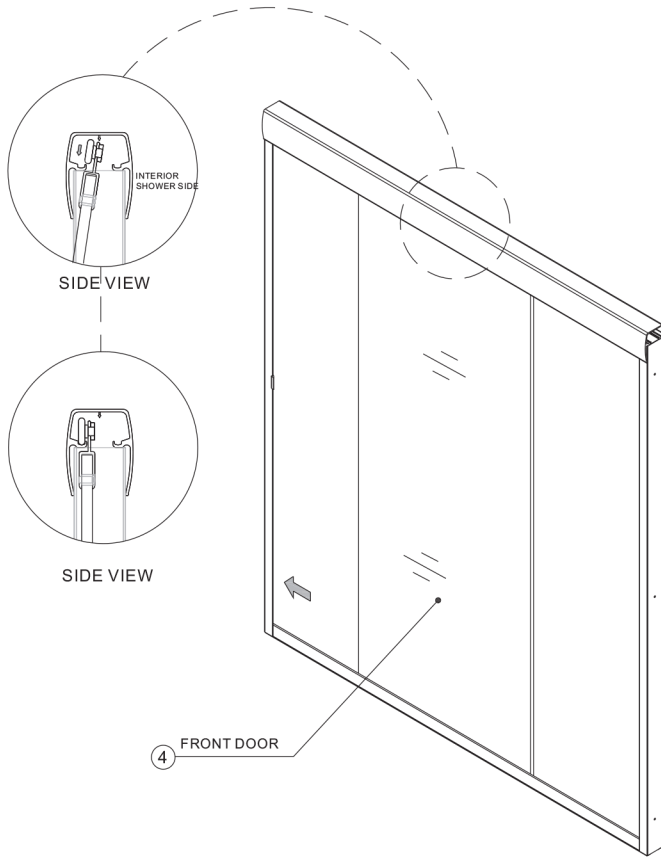
STEP 9

PLACE TOP RAIL ON THE WALL JAMBS.



MISENO

AZUL SLIDING

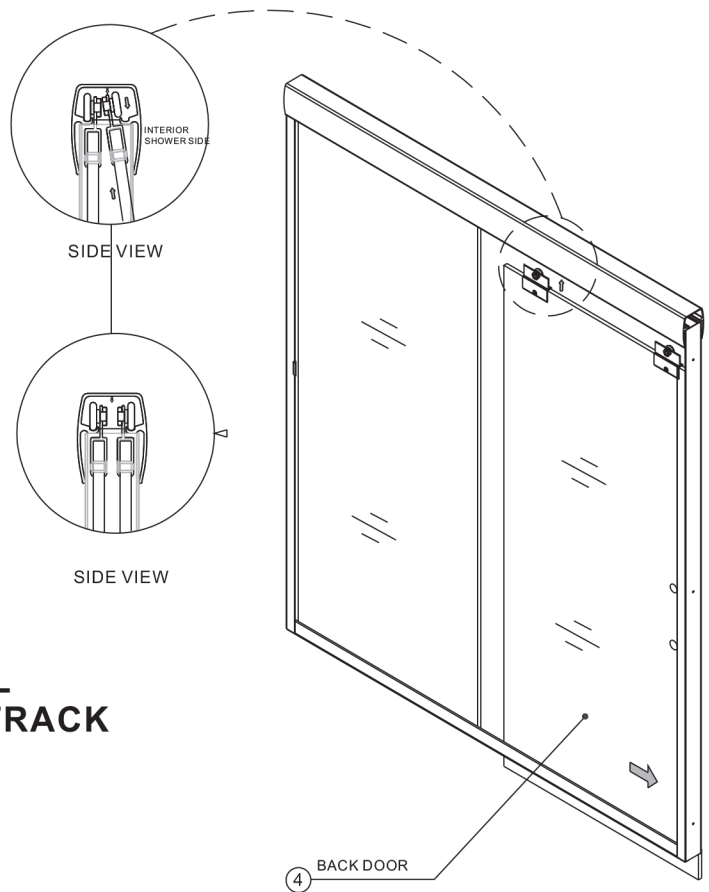


STEP10

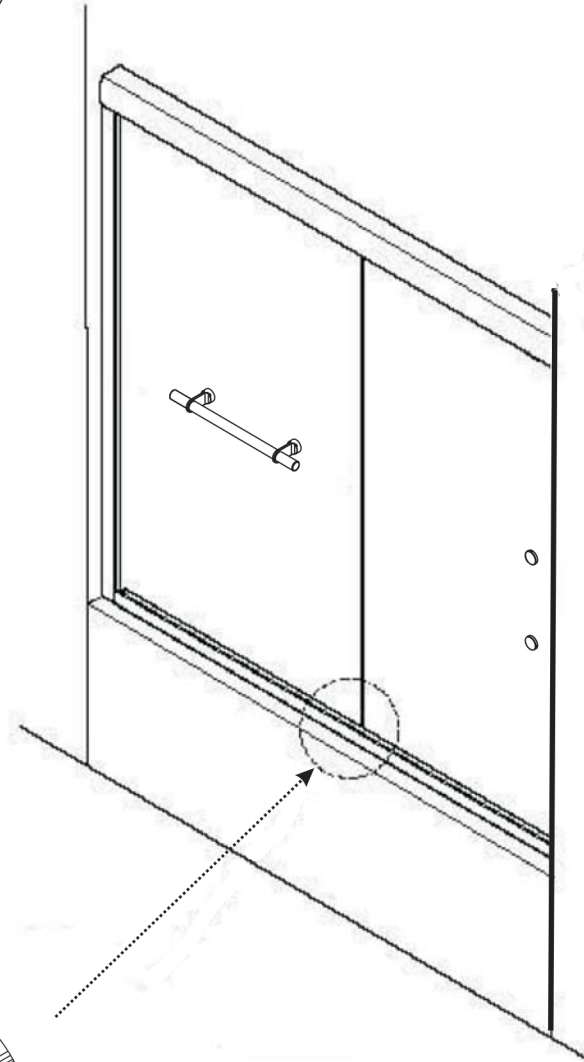
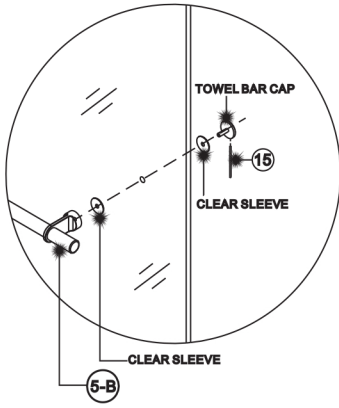
**INSERT OUTER DOOR PANEL
BY LIFTING UP & INTO TOP TRACK**

STEP11

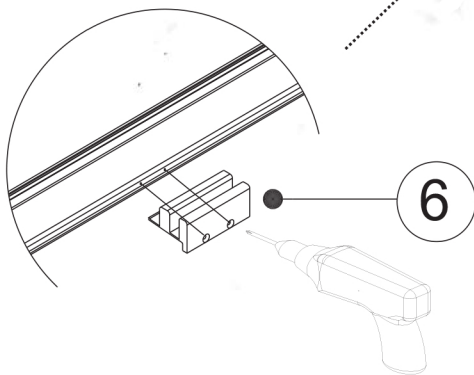
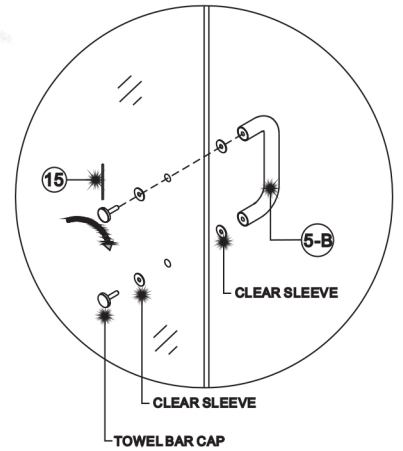
**INSERT INNER DOOR PANEL
BY LIFTING UP & INTO TOP TRACK**



**STEP 12
INSTALL TOWEL BAR**

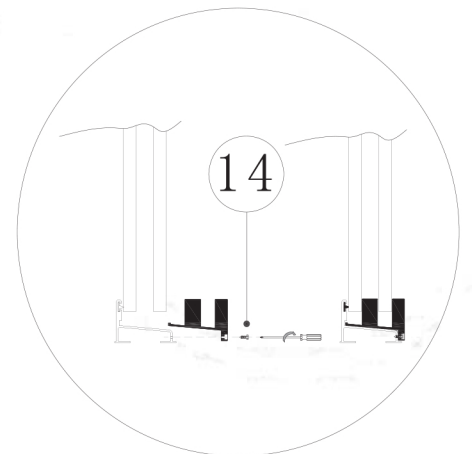


**STEP 13
INSTALL HANDLE**



STEP 14

INSTALL GUIDE WITH 3/8" SCREWS

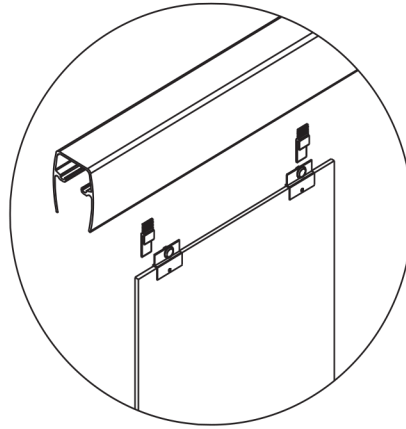


SIDE VIEW

AZUL SLIDING

MISENO

STEP 16 AT LAST. INSTALL SAFE SLIDER CLIP

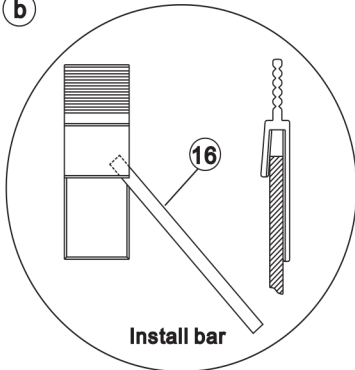


9

a



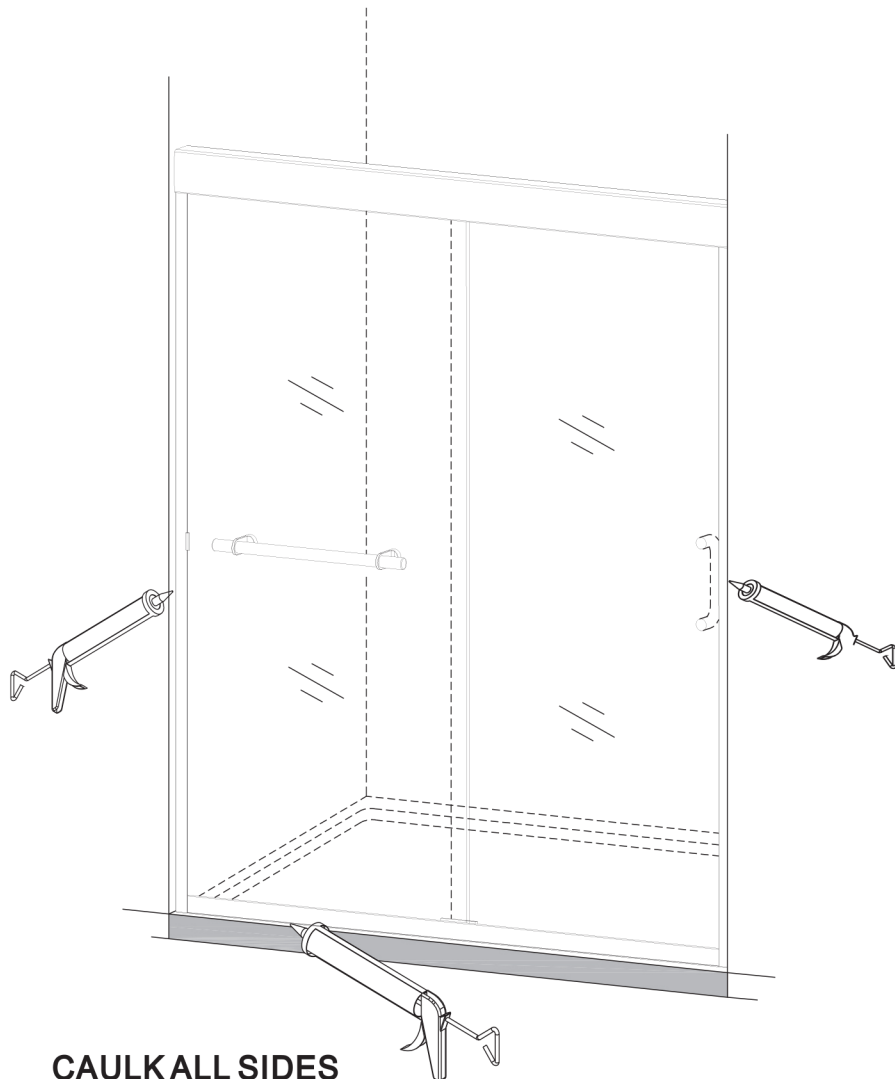
b



To install Anti-Jumping clip. Put install bar #16 into clip and lift onto clip hanger pull down leaving clip in place.



24 Hours



CAULK ALL SIDES